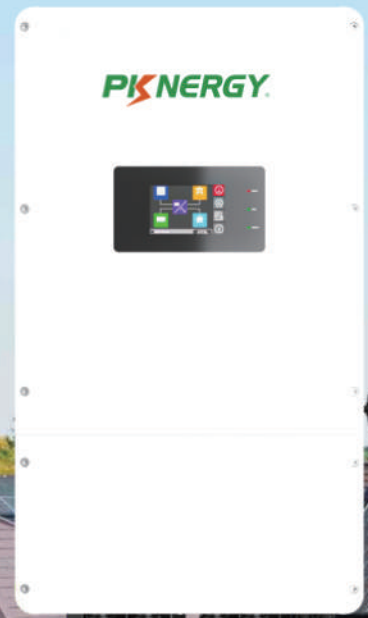


PKENERGY

Hybrid On & Off Grid Energy Storage Solar Inverter 6-8kW



IP65 Rated

Engineered to last with maximum flexibility. Suitable for outdoor installation



On-Grid and Off-Grid

REVO HES series is suitable for on-grid and off-grid applications.



Easy access

Accessible through a LCD touch screen and through the web.



Remote Monitoring

Control and monitor your smart system on the move via our monitoring App and website



BMS

BMS Communication or lithium battery



Safe

Physical and electrical dual isolation, earth Leakage Current Monitoring, Anti-island protection, Insulation detection and so on



5 Years Warranty

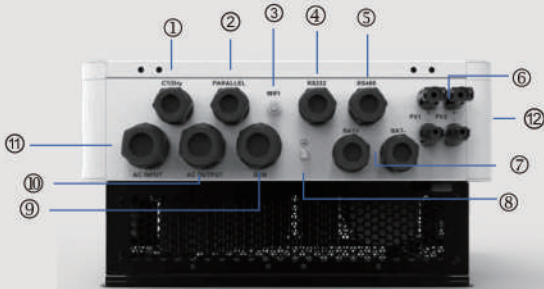
Supplied with a full manufacturers warranty



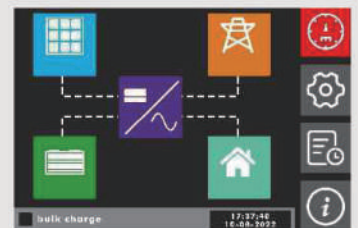
Flexible Rate Tariff

Charge from the grid at off-peak time when energy is cheaper, and discharge at peak time when energy is more expensive.

Product characteristics

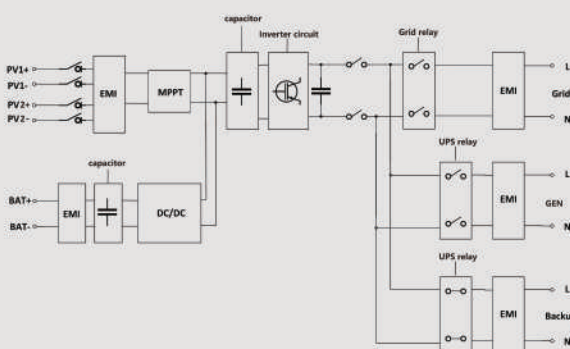


- ① CT/Dry
- ② PARALLEL
- ③ WIFI
- ④ RS232
- ⑤ RS485
- ⑥ PV PORT
- ⑦ BATTERY
- ⑧ GROUNDING
- ⑨ GEN
- ⑩ AC OUTPUT
- ⑪ AC INPUT
- ⑫ SWITCH

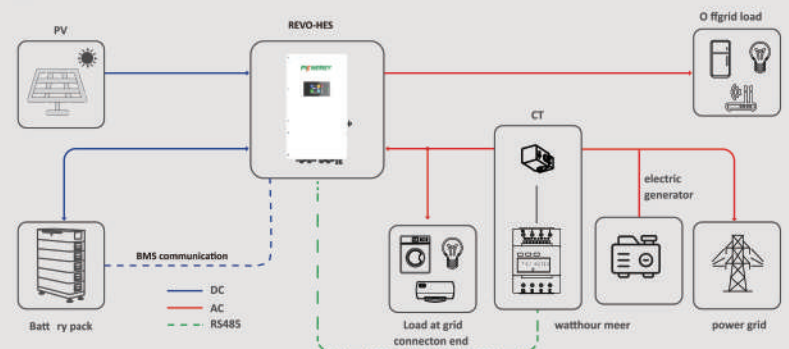


LCD touch screen

Circuit block diagram



Product application diagram



Technical Specification	PK-6000-HES/PK-8000-HES	
PV INPUT		
Max. power(kW)	7	10
Max. DC voltage(V)	550	
MPPT voltage range(V)	90~450	
Max. input current(A)	30	30
MPPT number/Max. input strings number	1/2	2/2
AC OUTPUT(GRID-TIED)		
Grid voltage/range(V)	230/90-280(For Personal Computers);170~280(For Home Appliances)	
Frequency (Hz)	50 /60	
PF	0.8lagging-0.8leading	
THDi	< 3%	
AC output topology	L+N+PE	
BATTERY		
Battery voltage range(V)	42~63	
Max. charging voltage(V)	63	
Max. charge/discharge current(A)	100/120	100/120
Battery type	Lithium /Lead-acid	
UPS OUTPUT		
Rated power (kw)	6	8
Rated output voltage(V)	220/230/240	
Rated output current(A)	25/27/27.2	33.3/34.7/36.3
Rated frequency (Hz)	50/60	
Transfer Time(ms)	< 10	
THDu	< 2%	
Overload capacity	5s≥110%load;10s≥101%~110%load	
PROTECTION& FEATURE		
Anti-island protection	Yes	
Insulation monitoring	Yes	
Residual current monitoring	Yes	
Arc fault protection	Yes(Optional)	
Parallel function	Yes,6 units	
Other protection	AC overcurrent, AC overvoltage, Over temperature protection	
GENERAL PARAMETER		
Efficiency(Peak)	94%	
Degree of protection	IP 65	
Operation temperature	- 25°C~ 60°C,>45°C derating	
Cooling	smart cooling	
Relative humidity	0 ~95%(non-condensing)	
Altitude	(> 2,000m Derating)	
Dimensions W x D x H (mm)	345*197*661	
Net Weight(KG)	22.5	32
Isolation anformer	No	
Self-consumption(W)	< 5	
DISPLAY AND COMMUNICATION		
Display	Touch screen	
Interface	Standard:RS232,CAN&RS485, Optional: Bluetooth, WiFi,CT	
Safety standard	EN/IEC 62109-1,EN/IEC 62109-2	